

# **H&S PARTS BOOK**

## **HT7 TEDDER**



Revision #00  
Starting Ser.716805

Part #77371  
HSMFG0217

**P.O. BOX 768, MARSHFIELD, WI 54449**  
**(715) 387-3414 FAX (715) 384-5463**  
**[www.hsmfgco.com](http://www.hsmfgco.com)**

# CONTENTS

Instructions For Ordering Parts - About Improvements . . . . .	1
Figure 1 - Frame & Shields. . . . .	2-3
Figure 2 - Cam, Belt & Drive Assembly. . . . .	4-7
Figure 3 - Bevel Gearbox. . . . .	8-9
Figure 4 - Pto. . . . .	9-10

## **INSTRUCTIONS FOR ORDERING PARTS**

All service parts should be ordered through your authorized H&S dealer. They will be able to give you faster service if you will provide them with the following

1. Model & Serial number is located on the left, rear main frame of your unit.
2. All reference to left or right apply to the machine as viewed from the rear.
3. Parts should not be ordered from illustration only. Please order by complete part number.
4. If your dealer has to order parts - give shipping instructions:

VIA truck - large pieces (please specify local truck lines)

VIA United Parcel Service (include full address)

<b>H&amp;S MFG. CO. INC.</b>	
MARSHFIELD, WIS.	
MOD. NO.	<input type="text"/>
SER. NO.	<input type="text"/>
DESCR.	<input type="text"/>

PLEASE RECORD NUMBERS FOR YOUR UNIT FOR QUICK REFERENCE

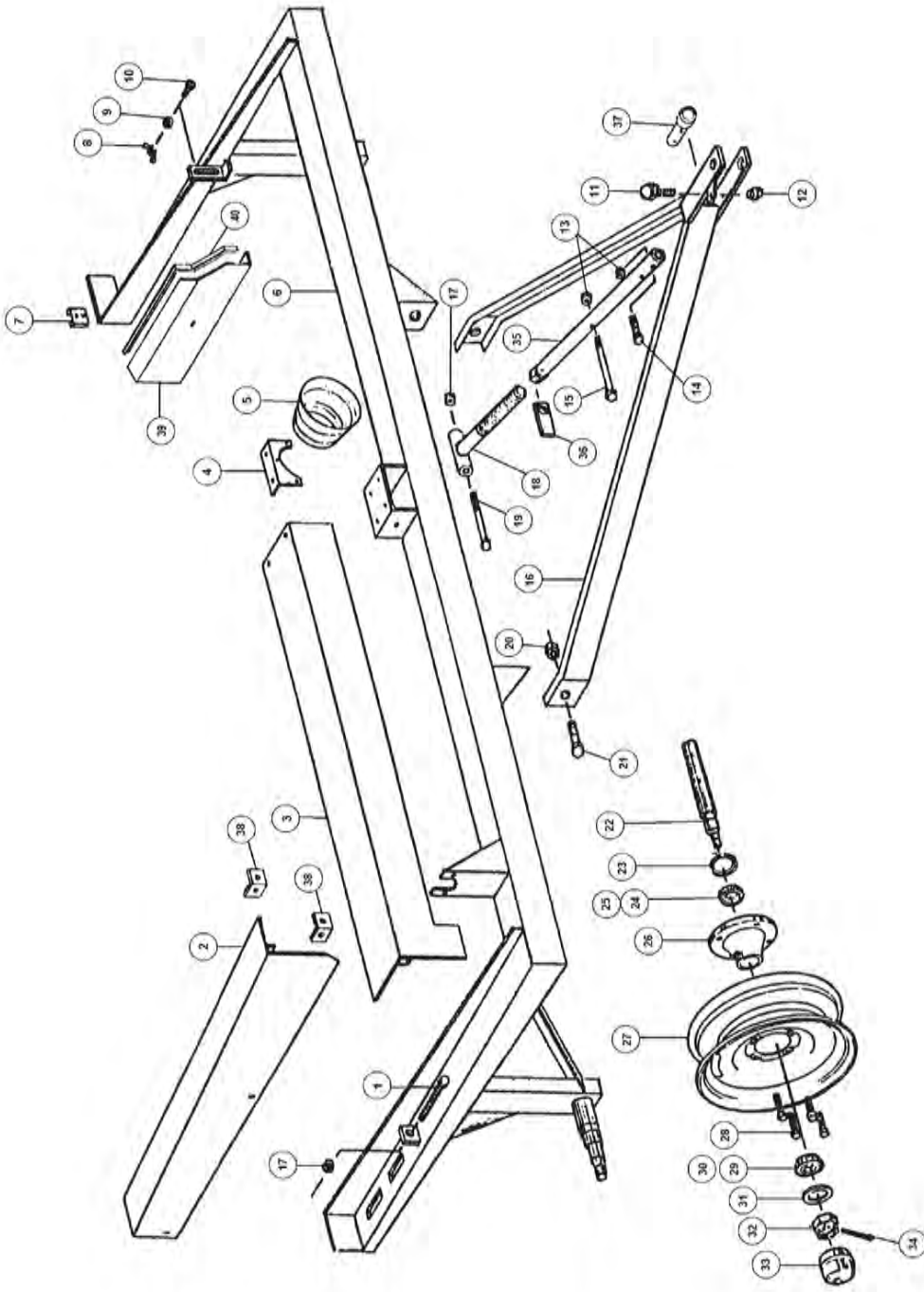
### **ABOUT IMPROVEMENTS**

H&S IS CONTINUALLY STRIVING TO IMPROVE IT'S PRODUCTS

We must therefore, reserve the right to make improvements or changes whenever it becomes practical to do so without incurring any obligation to make changes or additions to the equipment previously sold.

# FIGURE 1

## FRAME & SHIELDS



# FIGURE 1

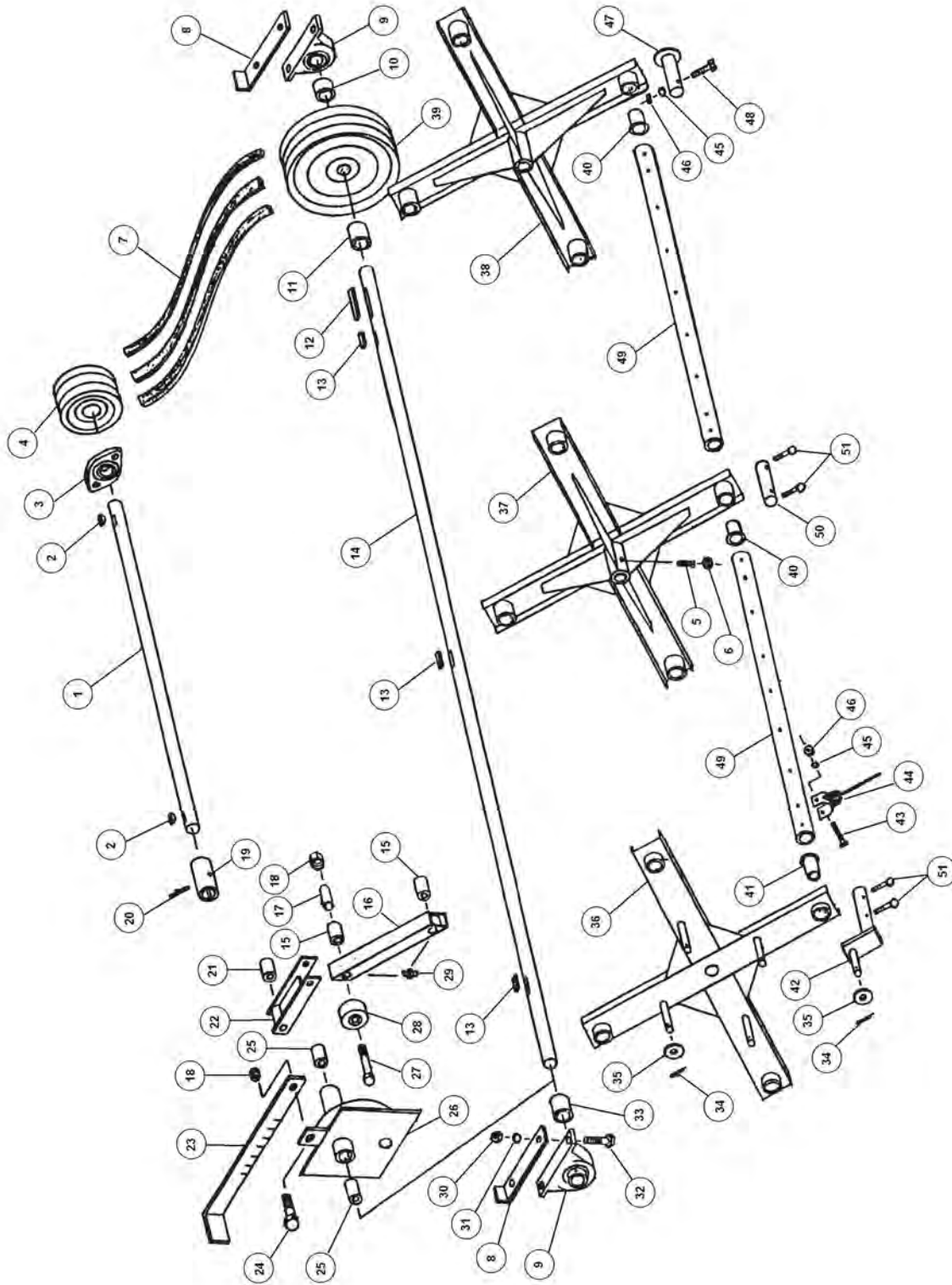
## FRAME & SHIELDS

<u>ITEM</u>	<u>PART #</u>	<u>DESCRIPTION</u>
1	9S16	TIGHTENER BOLT, 1/2" X 4-1/2"
2	T10	SIDE SHIELD
3	T711	FRONT SHIELD
4	T12	GEAR BOX SHIELD
5	17G45	PLASTIC PTO SHIELD
6	T714	8 FT. TEDDER MAIN FRAME
7	F97	S M V HOLDER
8	T15	WING NUT, 1/4", GR. 5
9	YWFL08005	FLAT WASHER, 1/4", GR. 5
10	YBCR08040	CARRAGE BOLT, 1/4" X 3/4", GR. 5
11	T18	PTO HOLDER
12	R11	LOCK NUT, 5/6, 1/2", GR. 8
13	YNNY12005	NYLOCK NUT, 3/8", GR. 5
14	T114	BOLT, 3/8" X 2.00", GR. 5
15	YBHH1225	BOLT, 3/8" X 6.00", GR. 5
16	T21	POLE FOR TEDDER
17	YNHX16005	NUT, 1/2", GR. 5
18	T22	ADJUSTMENT SCREW
19	YBHH16175	BOLT 1/2"X6 1/2"
20	T23	LOCK NUT, 3/4"
21	YBHH24015	BOLT, 3/4" X 2.00", GR. 5
22	T25	SPINDLE
23	T26	SEAL CR-14975
24	T27	BEARING
25	T28	RACE LM67010
26	T29	HUB ASSY
27	T30	WHEEL, 15 X 5, 4 BOLT
28	T31	HUB BOLT
29	T32	BEARING LM11949
30	T33	CUP
31	T34	WASHER
32	YNSL24010	NUT, SLOT, 3/4-16, NA, G2, NF
33	T36	FLANGE GUARD, HUB CAP,
34	YPCT05010	COTTER PIN, 5/32 X 1-1/2
35	T117	ADJUSTMENT PIPE
36	T118	ADJUSTMENT LOCK
37	T119	ADJUSTMENT END SHAFT
38	T120	SHIELD ANGLE
39	T121	LH SIDE SHIELD
40	T124	PLASTIC EDGE FOR SHIELD
*	YNWL16005	NUT, WHEEL, 1/2-20, NA, G5, ZC
*	YBWL16010	BOLT,WHEEL,1/2-20X1-1/4,GR5,ZC



# FIGURE 2

## CAM, BELT & DRIVE ASSEMBLY



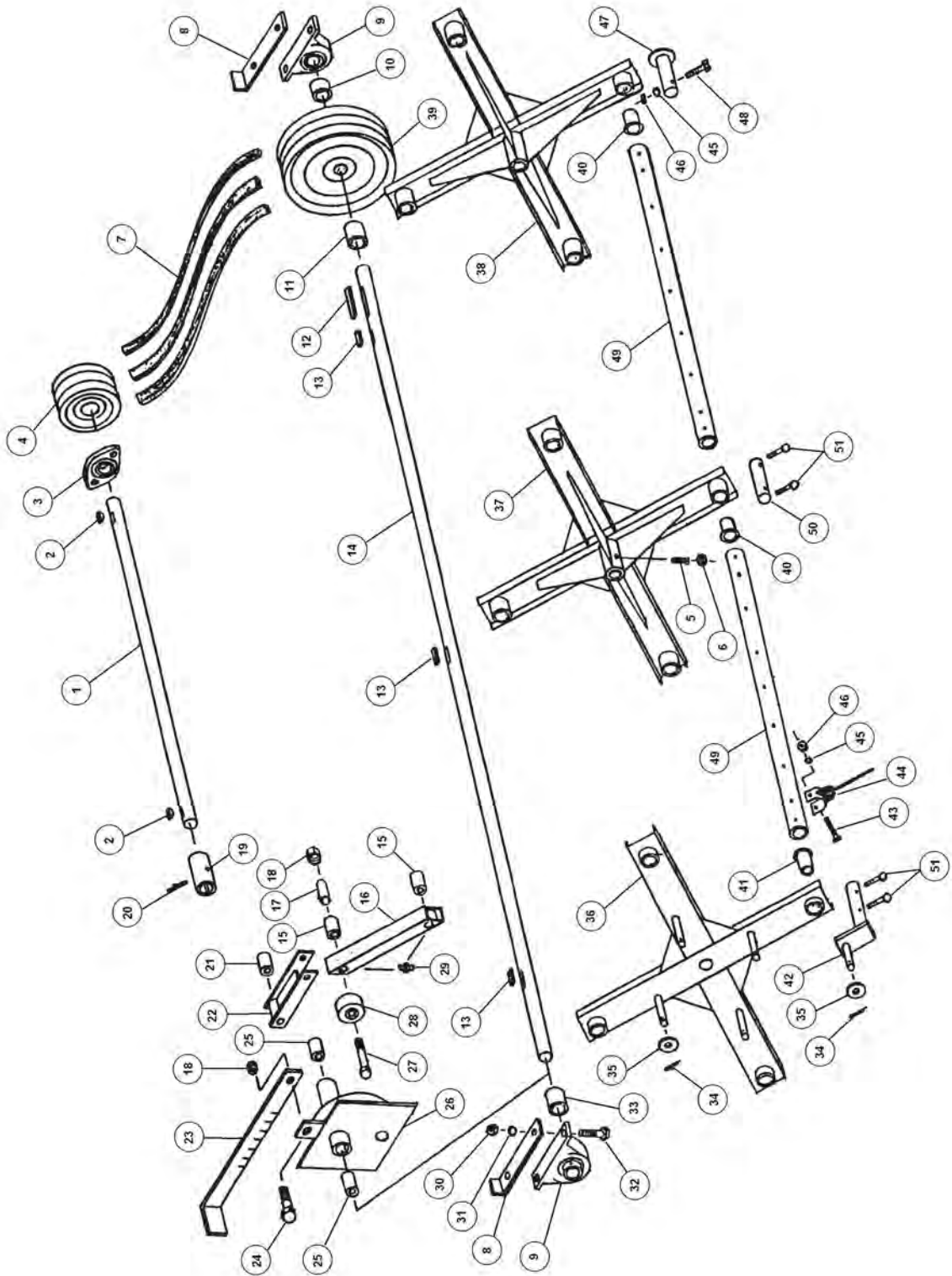
## FIGURE 2

### CAM, BELT & DRIVE ASSEMBLY

<u>ITEM</u>	<u>PART #</u>	<u>DESCRIPTION</u>
1	T739	FRONT SHAFT
2	5B10	WOODRUFF KEY, 1/4" X 1.00" BIN STOCKED
3	T40	BEARING 2 BOLT CAST W/COLLAR
4	T260	DRIVE PULLEY
5	T115	SETSCREW
6	T116	3/4-10 SQUARE NUT
7	T44	V-BELT
8	T45	TIGHTENER BRACKET
9	T46	BEARING, PILLOW BLOCK, 1-3/8"
10	T47	REEL SPACER
11	T48	REEL SPACER
12	T49	KEY, SQUARE, 5/16" X 4.00"
13	T50	KEY, SQUARE, 5/16" X 2.00"
14	T751	REEL SHAFT
15	T52	BUSHING, BRONZE, 1.00" X 3/4" X 1-1/2"
16	T53	CAM LONG ARM
17	T122	BUSHING FOR BOLT
18	T60	LOCK NUT, 5/8"
19	T57	GEAR BOX CONNECTOR
20	YPEX10015	ROLL PIN, 5/16" X 1-3/4"
21	T58	BUSHING, BRONZE, 1.00" X 3/4" X 3.00"
22	T59	SHORT CAM ARM
23	T61	CAM HANDLE
24	YBHH20010	BOLT, 5/8" X 1-1/2", GR. 5
25	T63	BUSHING, BRONZE, 1-5/8" X 1-3/8" X 2.00"
26	T64	CAM ASSEMBLY

# FIGURE 2

## CAM, BELT & DRIVE ASSEMBLY





## FIGURE 2

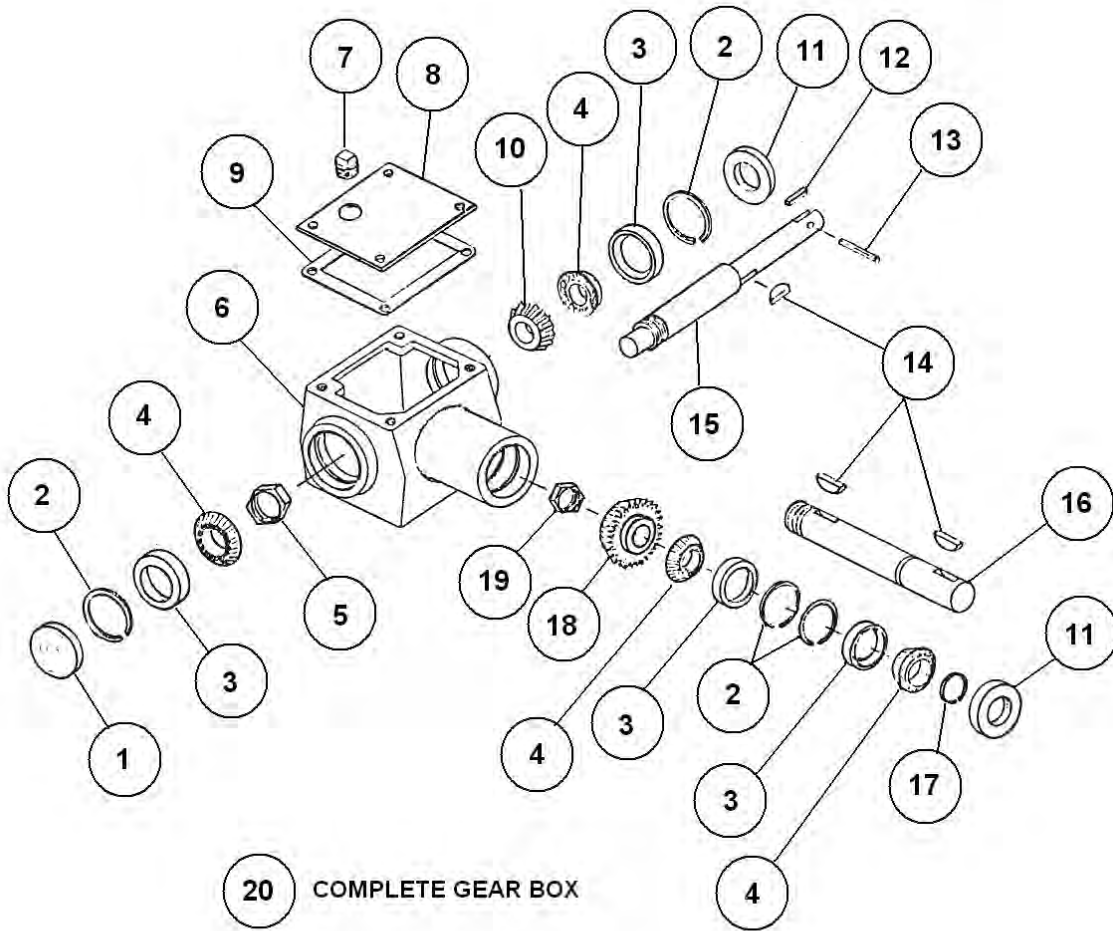
### CAM, BELT & DRIVE ASSEMBLY

<u>ITEM</u>	<u>PART #</u>	<u>DESCRIPTION</u>
27	YBHH20065	BOLT, 5/8" X 4.00"
28	T66	CAM ROLLER BEARING
29	T67	ZERK, 1/4"-28 STRAIGHT-LONG SHANK 11/16" #1652
30	T68	NUT, 5/8"
31	YWLO20005	LOCK WASHER, 5/8"
32	YBHH20025	BOLT, 5/8" X 2.00"
33	T71	REEL SPACEER LH
34	T72	COTTER PIN 5/32" X 1-1/2"
35	T73	WASHER
36	T74	LH REEL CROSS
37	T75	CENTER REEL CROSS
38	T76	RH REEL CROSS
39	T77	PULLEY, TRIPLE, 14"
40	T78	FLANGE BUSHING
41	T79	FLANGE BUSHING
42	T80	LH STUB SHAFT
43	T123	BOLT, 3/8" X 2-1/4", GR. 5
44	T82	RUBBER MOUNTED TEETH
45	YWLO12005	LOCK WASHER, 3/8", GR. 5
46	YNHX12005	NUT, 3/8", GR. 5
47	T83	RH STUB SHAFT
48	YBHH12075	BOLT, 3/8" X 2.00", GR. 5
49	T784-8	REEL PIPE
*	T784-9	REEL PIPE
50	T85	REEL PIPE CENTERS
51	T114	BOLT, 3/8" X 2.00", GR. 5

\* MEANS NOT SHOWN

# FIGURE 3

## BEVEL GEARBOX



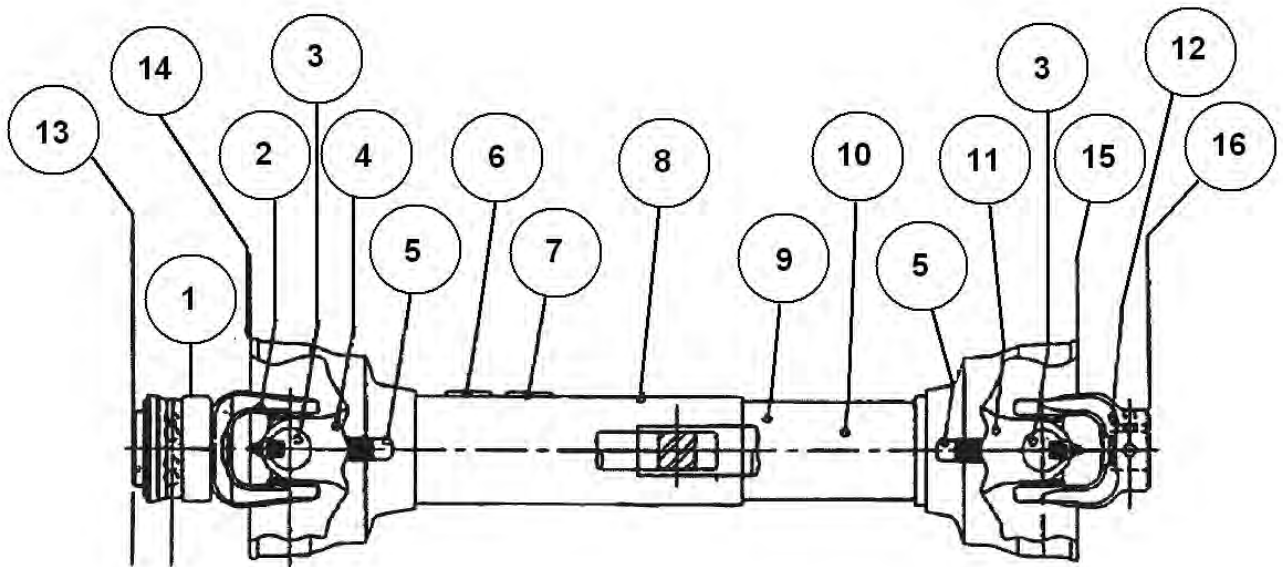
# FIGURE 3

## BEVEL GEARBOX

<u>ITEM</u>	<u>PART #</u>	<u>DESCRIPTION</u>
1	X2	DUST CAP
2	3G19	SNAP RING
3	3G18	RACE #15245 TIMKIN
4	3G7	BEARING #15101
5	3G11	GEAR BOX NUT
6	3G1	GEAR BOX HOUSING
7	3G20	VENT PLUG
8	3G3	COVER
9	3G2	GEAR BOX GASKET
10	X3G5	GEAR, 12T
11	3G9	SEAL, TRANSCOM
12	S135	SQUARE KEY, 1/4" X 1-1/4"
13	YPEX10015	ROLL PIN, 5/16" X 1-3/4"
14	5B10	WOODRUFF KEY, 1/4" X 1.00" BIN STOCKED
15	T86	GEAR BOX FRONT SHAFT
16	T87	GEAR BOX SIDE SHAFT
17	3G21	SNAP RING BIN STOCKING
18	X36	GEAR, 18T
19	3G4	GEAR BOX NUT
20	T112	COMPLETE GEAR BOX

# FIGURE 4

## PTO



# **FIGURE 4**

## **PTO**

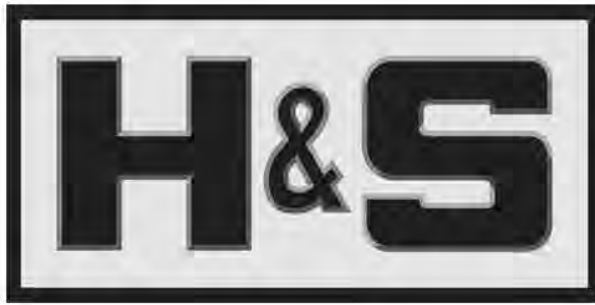
<b><u>ITEM</u></b>	<b><u>PART #</u></b>	<b><u>DESCRIPTION</u></b>
1	S225	SPRING LOCK REPAIR KIT
2	S379	LOCK YOKE ASSEMBLY (HD)
3	T274	03-15374 12P CROSS & BEARING KIT
4	T275	YOKE & SHAFT
5	S206	NYLON BEARING
6	16SV283	SAFETY SIGN
7	16SV384	540 RPM SIGN
8	T276	OUTER GUARD
9	T277	INNER GUARD
10	16SV388	SAFETY SIGN
11	T278	YOKE & TUBE
12	T279	YOKE
13	T280	JOINT & SHAFT HALF ASSY W/GUAR
14	T281	JOINT & SHAFT HALF ASSY W/GUAR
15	T282	JOINT & TUBE HALF ASSY W/GUARD
16	T283	JOINT & TUBE HALF ASSEMBLY
17	T273	PTO, COMPLETE
*	S402	PTO SAFETY MANUAL

**\* MEANS NOT SHOWN**









**H&S Manufacturing products are approved for the  
FEMA SEAL OF QUALITY**

**P.O. BOX 768, MARSHFIELD, WI 54449  
(715) 387-3414 FAX (715) 384-5463  
[www.hsmfgco.com](http://www.hsmfgco.com)**